

# Alarming unit, 1 sensor input MAXIMAT® TC1



- 1 surveying channel
- For compact overflow and leakage sensors MAXIMAT® and MAXITOP
- Automatic loop detection survey
- Automatic sensor test
- Alarms: Optical and acoustic (>75 dB)

## APPLICATION

Alarm signals for survey of:

- Stored fluids, dangerous and no flammables
- Retention basins
- Double wall tanks
- Drain collectors




## PRINCIPLE

TC1 is designed for overflow detectors and leakage detectors MAXIMAT® and MAXITOP. Alarm system TC1 has a self-diagnostic test; it surveys the sensor, the loop and completes all the alarm procedure. Acoustic alarm complies with directives (ZG-ÜS) for overflow detectors.

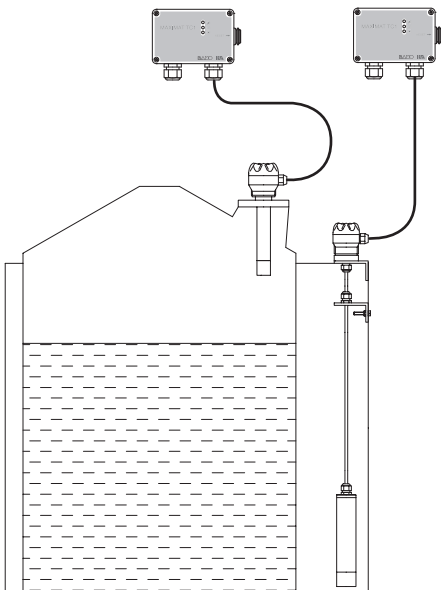
The detector is directly powered through the TC1. Alarm status is provided by detector to TC1 with signals it with audible and visual alarms. The alarm reset is done by operator on the front board.

The TC1B version allows to connect any sensor, which have a potential free contact output.

Front board alarm status:

- Yellow LED  -> Alarm occurred, not yet reset
- Green LED  -> Normal monitoring status
- Red LED  -> Alarming status

*Pictograms  
(front panel)*



## CODE NUMBERS AND REFERENCES

Code	Reference	Designation
555 720	TC1	Alarming unit, 230 V AC, IP 65, wall mounting, 120 x 80 x 55 mm
555 740	TC1-B	Alarming unit, 230 V AC, IP 65, wall mounting, 120 x 80 x 55 mm

# BAMO MESURES

22, Rue de la Voie des Bans - Z.I. de la Gare - 95100 ARGENTEUIL  
 Tél : (+33) 01 30 25 83 20 - Web : [www.bamo.fr](http://www.bamo.fr)  
 Fax : (+33) 01 34 10 16 05 - E-mail : [info@bamo.fr](mailto:info@bamo.fr)

## Alarming unit, 1 sensor input MAXIMAT® TC1

23-03-2016

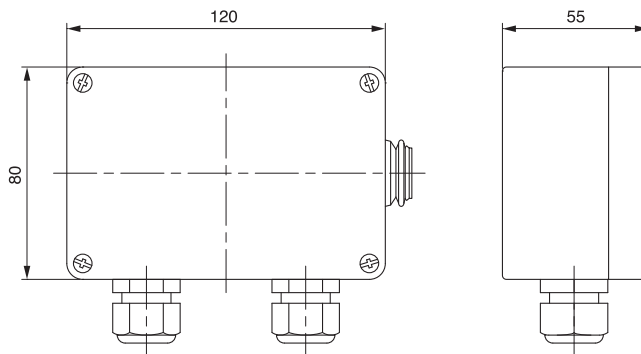
555 I1 10 B

## NIV

555-10/1

## TECHNICAL FEATURES

Supply power:	230 V AC $\pm$ 10% - 50/60 Hz
Power consumption:	approx. 2 VA / 2 W max.
Protection:	IP 65 (acc. EN 60 529)
Ambient temperature:	-20...+60°C
Housing:	Polycarbonate Wall mounting
Input:	1 detector, MAXIMAT or MAXITOP serie (MAXIMAT TC1) or 1 sensor with potential free contact (MAXIMAT TC1-B)
Electric connections:	Screw connectors
Output:	1 changeover contact
Switching power:	230 V AC / 3 A
Indications:	Green LED $\rightarrow$ in operation Yellow LED $\rightarrow$ alarm not yet reset Red LED $\rightarrow$ alarm in course
Audible alarm:	> 75 dB
Control elements:	Reset push button for test and alarm acknowledgement
<b>CE Mark:</b>	In accordance with low voltage directive (2006/95/EC) and EMC directives (2004/108/EC)



**BAMO MESURES**

22, Rue de la Voie des Bans - Z.I. de la Gare - 95100 ARGENTEUIL

Tél : (+33) 01 30 25 83 20 - Web : [www.bamo.fr](http://www.bamo.fr)

Fax : (+33) 01 34 10 16 05 - E-mail : [info@bamo.fr](mailto:info@bamo.fr)

Alarming unit, 1 sensor input  
**MAXIMAT® TC1**

23-03-2016

555 I1 10 B

**NIV**

**555-10/2**