

Leakage detection transmitter MAXIMAT® LW CN-SDR



- Capacitive, high frequency, fail-safe detection
- For aggressive and conductive liquids
- Two sensors
- Positive active alarm
- Auto diagnostic system and LED indicator
- WHG §19 approval: DIBt-No.: Z-65.40-316

APPLICATIONS

With its integrated transmitter and connection for diagnostic, the MAXIMAT is ideal to detect the presence of a liquid in a double wall pipe, catch basins, catch spaces...

PRINCIPLE

The transmitter MAXIMAT is designed to detect the presence of electrically conductive liquids with a reactance up to 5 kOhm/cm and a coupling capacitance towards ground of more than 50 pF. The liquids may not generate electrical insulating or conductive deposit. The MAXIMAT has 3 different outputs, factory built-in:

- Binary output to active optocoupler, numeric input
- Analog 0...20 mA output for any analog input of PLC

TECHNICAL SPECIFICATIONS

- Main power supply: 15 ... 26 V DC; caution: DC current circuit should be protected by a fuse of 250 mA.
- Power consumption: approx. 3 W
- Ambient temperature: -20 to +60° C
- Operating pressure: atmospheric, 0.8 to 1.1 bar
- Terminal housing: PBT, fibre glass reinforced, IP 65 acc. EN 60 529
- Terminals: screw connectors, IP 20; max. wire cross section 2.5 mm²
- Outputs:
- Switch [+DO / -DO]: optocoupler NPN, maximum 30 mA
 - Switch [+AO / -AO]: current 0...20 mA
- Configuration: with 4 DIP switches
- Lighting signal: 1 LED inside the terminal housing for correct operating system
- CE mark:** in accordance with low-voltage directive (73/23/CEE) and EMC directives (89/336/CEE) and standards EN 50 082-2: 1995, EN 55 011 (class A): 1998
- DIBT Approval:** Z-65.40-316, for leakage detection, WHG§19

BAMO MESURES

22, Rue de la Voie des Bans - Z.I. de la Gare - 95100 ARGENTEUIL

Tél : (+33) 01 30 25 83 20 - Web : www.bamo.fr

Fax : (+33) 01 34 10 16 05 - E-mail : info@bamo.fr

Leakage detection transmitter
MAXIMAT® LW CN-SDR

05-02-2007

555 11 04 C

NIV

555-04/1

CODE NUMBERS AND REFERENCE

Complete assembly (fig.1 and fig.2)

Code	Reference	Description
555 420	ET 251 E	PCV, detector to be glued, with outlet tubing DN63 including a DN15 PCV ball valve
555 430	ET 254 E	PE-HD, detector, fusion sleeve, with outlet tubing DN63 including DN15 PCV ball valve
555 421	AG 251 E	PCV, BSP 1/2" threaded connector, with outlet tubing DN63 including a DN15 PCV ball valve
555 431	AG 254 E	PE-HD, BSP 1/2" threaded connector, with outlet tubing DN63 including a DN15 PCV ball valve

Spare parts (fig.3)

Code	Référence	Description
555 400	1	PCV, 24 V DC detector alone
555 410	4	PE-HD, 24 V DC detector alone

DIMENSIONS

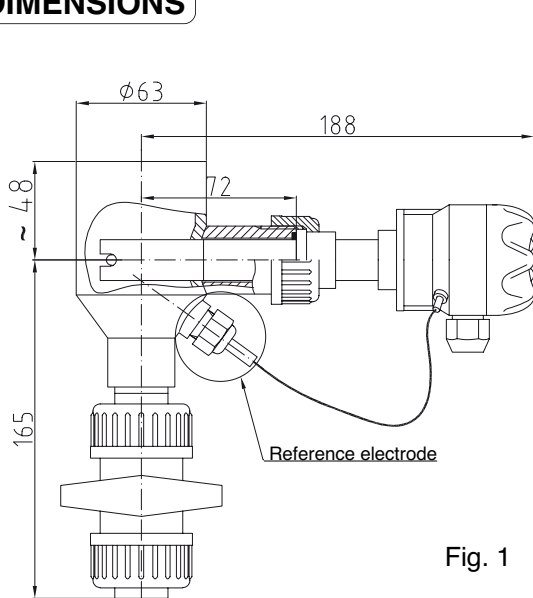


Fig. 1

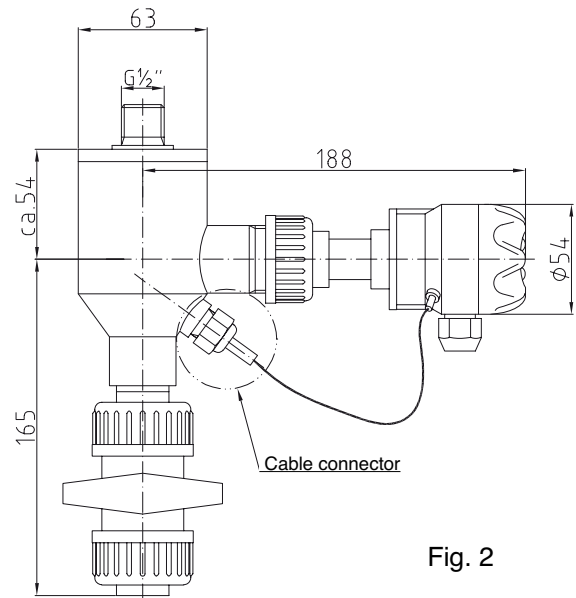


Fig. 2

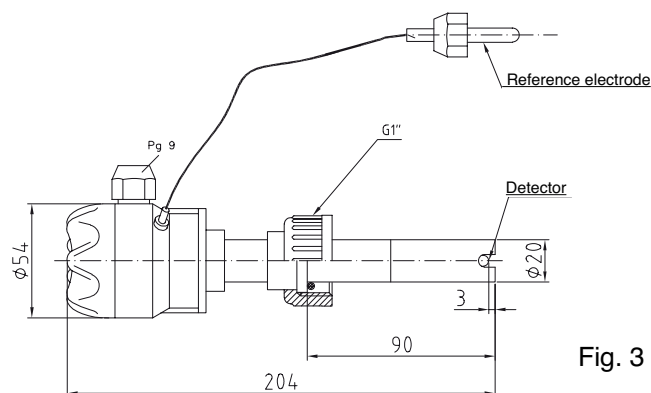


Fig. 3

BAMO MESURES

22, Rue de la Voie des Bans - Z.I. de la Gare - 95100 ARGENTEUIL
 Tél : (+33) 01 30 25 83 20 - Web : www.bamo.fr
 Fax : (+33) 01 34 10 16 05 - E-mail : info@bamo.fr

Leakage detection transmitter
MAXIMAT® LW CN-SDR

05-02-2007

555 I1 04 C

NIV

555-04/2