

SIDE LEVEL CONTROLER ST 2 PTFE SERIES

- Resistant to acids
- Until 60 °C
- Entirely in PTFE
- Lateral setting

APPLICATIONS

Automatic order of pumps and sluices-alarms for high level or low level. A general manner, control of the level of different liquids. The controller ST2 whose all wetted parts are made with PTFE, allows to control practically all fluids and, notably the most aggressive : as sulphuric acid, chromic acid, nitric acid, etc...,

REALIZATION

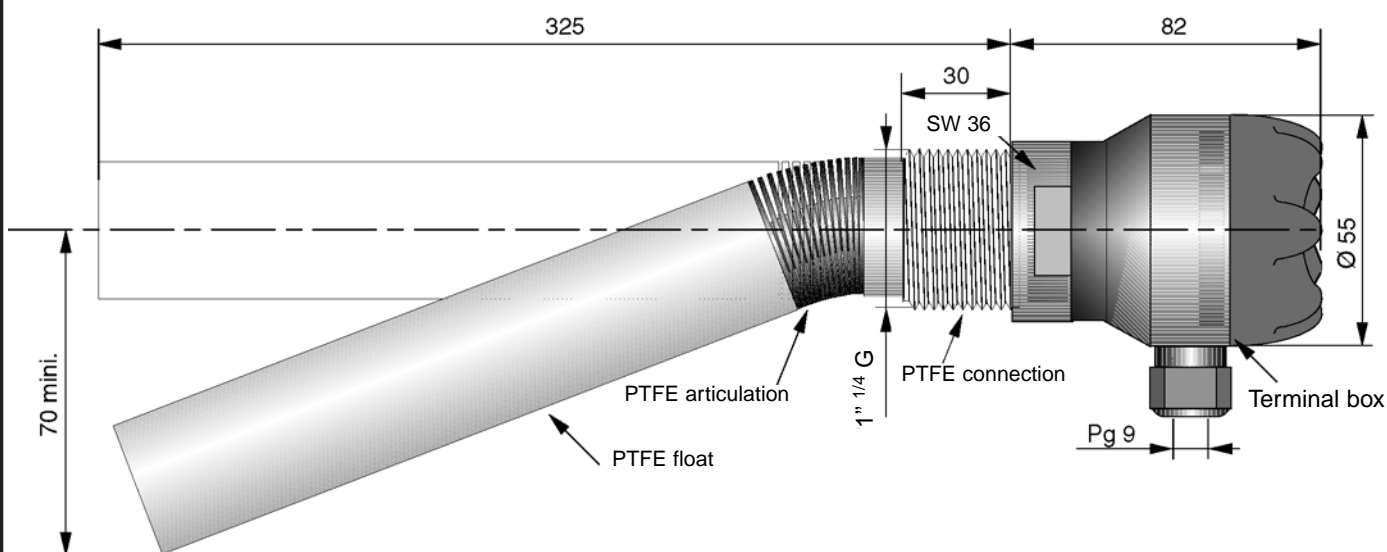
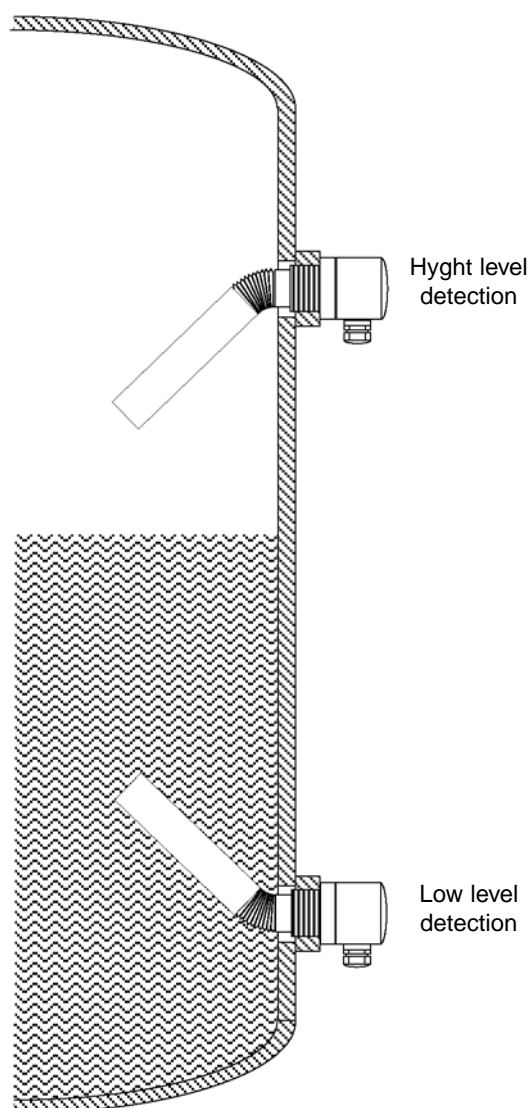
The envelope of the controller of level ST2 is entirely in PTFE. The bellows gives the necessary suppleness. A stop limits the displacement. The microswitch change over contact seesaws in horizontal position

TECHNICAL CHARACTERISTICS

Power rating	: 3 A / 250 V
	To anticipate the placement to the earth of the reservoir or the electronic relay.
Temperature of the liquid	: + 5° C ... + 180 °C.
Pressure	: Max 0.5 bar
Mounting	: Side, threaded R 1" 1/4 Gas.
Immersion	: Max 5 000 mm WG
Electrical connection	: IP55 terminal box PPh with cable gland

CODE & REFERENCE

525 800 ST2/ PTFE



BAMO MESURES

22, Rue de la Voie des Bans - Z.I. de la Gare - 95100 ARGENTEUIL
Tél : (+33) 01 30 25 83 20 - Web : www.bamo.fr
Fax : (+33) 01 34 10 16 05 - E-mail : info@bamo.fr

11/03/2003
**SIDE LEVEL CONTROLER
ST 2 PTFE SERIE**
525 I 01 C

NIV

525/1