

DISSOLVED OXYGEN SENSOR BAMOX 7200



- Galvanic dissolved oxygen sensor
- Sturdy construction
- Easy fitting and maintenance
- Range: 0...20 ppm (0-100%)
- Large electrolyte volume
- Easy membrane replacement
- HDPE membrane
- Built in temperature sensor: Pt 100 Ω / 0°C
- Construction: POM

PRINCIPLE

The sensor BAMOX 7200 uses a lead anode to improve the resolution (0.03 ppm in lower range) and a High-Density Polyethylene (HDPE) membrane; signal delivered is 45 mV at 100%.

Comparatively to a PTFE membrane (33 mV at 100%), the HDPE membrane has a quicker answer (approx. half the response time).

The BAMOX 7200 sensor is designed for wastewater applications.

TECHNICAL FEATURES

BAMOPHOX 7200 sensor

Range:	0.03...20 ppm
Cathode:	Silver
Anode:	Lead
Electrolyte:	Sodium carbonate
Membrane 45 mV:	HDPE
Maximal temperature:	50°C
Minimal fluid speed:	0.05 m/s
PG colour:	Grey
Cable length:	3 m
Temperature sensor:	Pt 100 Ohm / 0°C; 2 wires

Sensor holder

Immersion probe:	Standard length 1 m; maximal length 3 m
Construction:	PVC
Electrical connection:	screw connectors
Housing:	PBT, IP65



BAMO MESURES

22, Rue de la Voie des Bans - Z.I. de la Gare - 95100 ARGENTEUIL

Tél : (+33) 01 30 25 83 20 - Web : www.bamo.fr

Fax : (+33) 01 34 10 16 05 - E-mail : info@bamo.fr

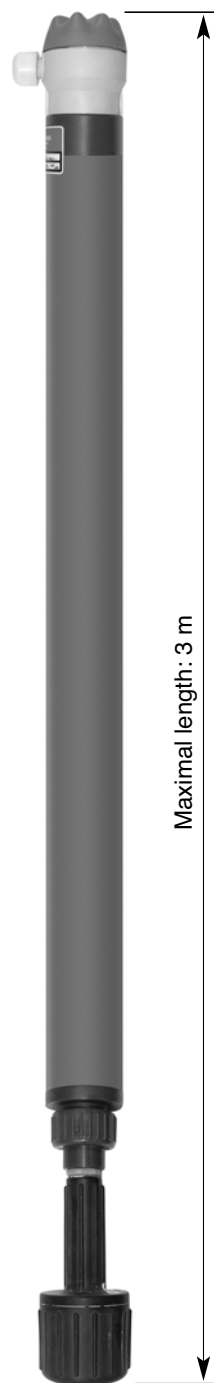
Dissolved oxygen sensor
BAMOX 7200

11-06-2007

460 I1 02 A

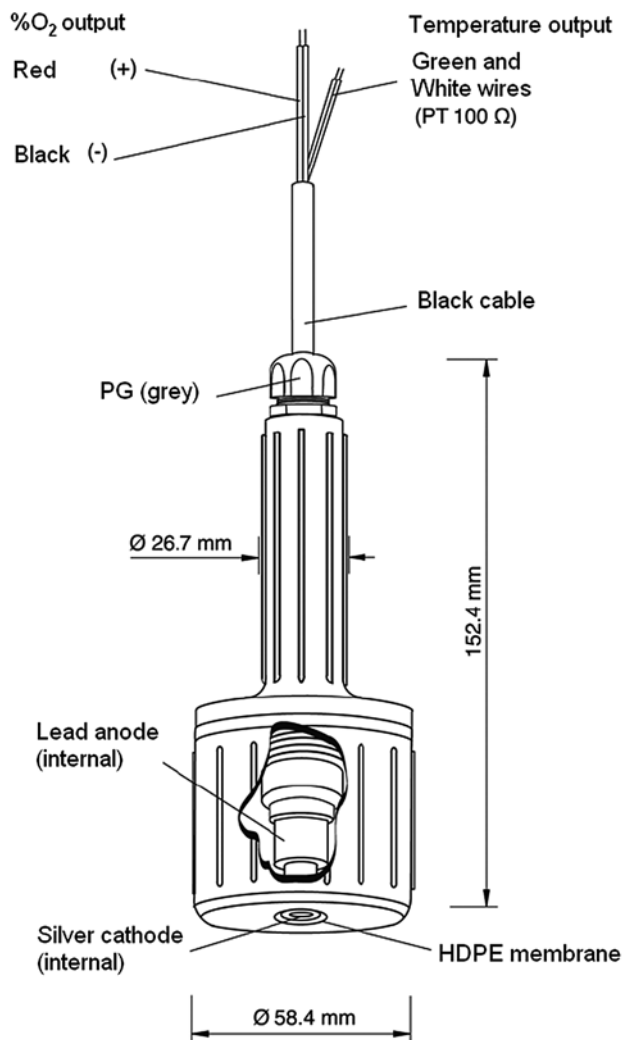
OXY

460-02/1



Maximal length: 3 m

BAMOX sensor holder

**CODE NUMBERS AND REFERENCES**

BAMOX 7200 sensor is output cable type; the cable length is 3 m

Code	Reference	Designation
460 150	BAMOX 7200-H-TC	BAMOX 7200 sensor, membrane HDPE and lead anode; cable 3 m
460 900	MEMBRANE OX 6005-H	Pack of 5 HDPE membranes
460 910	OX 6001	Tool for membrane replacement
460 915	ELECTROX 7002	Electrolyte for 7200 sensors, 500 ml flask
460 210	BAMOX sensor holder	7200 sensor holder, PVC probe with PBT housing PG 9; length 1 m
460 922	BAMOX KIT 7000-H	Tool, electrolyte and membranes Kit, including: 460 900 + 460 910 + 460 915

BAMO MESURES

22, Rue de la Voie des Bans - Z.I. de la Gare - 95100 ARGENTEUIL

Tél : (+33) 01 30 25 83 20 - Web : www.bamo.frFax : (+33) 01 34 10 16 05 - E-mail : info@bamo.fr

Dissolved oxygen sensor
BAMOX 7200

11-06-2007

460 I1 02 A

OXY**460-02/2**