

Conductivity meter for inductive probe BAMOPHAR 364



- Color touch screen
- Measuring range, 4 scales:
0- 2 mS/cm up to 0 - 2000 mS/cm
- Automatic temperature compensation
- 2 Outputs 0/4-20mA
- 4 Relays (Thresholds, alarm and/ or regulation)
- OPTIONS :
RS 422 /J-BUS + LOGGER
Extension terminal for 2nd measuring parameter

APPLICATIONS

Conductivity measurement for monitoring and/ or regulation in water treatment, chemical industries, industrial applications:

- Cooling towers survey
- Clean water control (wells, drinking water, thermal baths ...)
- Stormwater and runoff water survey
- WWTP survey
- Concentration measurements of acid and base
- Chemicals quality survey
- Option: display in concentration of NaCl, NaOH or HCl

DESCRIPTION

BAMOPHAR 364 is equipped with a color touch screen for displaying measurement, temperature and status of thresholds as well as navigation in a user-friendly, intuitive and multilingual menu. The conductivity and temperature measurement can be transmitted on two 4-20mA outputs.

Combined with the TCS 3020 or TCL S50 inductive probes, BAMOPHAR 364 can measure the conductivity of the liquid over a range of 0 to 2000 mS / cm throughout the various treatment processes.

- TCS 3020 probe in NORYL (see doc 364-01) is recommended for applications with neutral liquids.
- TCL S50 PEEK probe (see doc 364-05) is suitable for applications requiring high chemical resistance or high temperature.

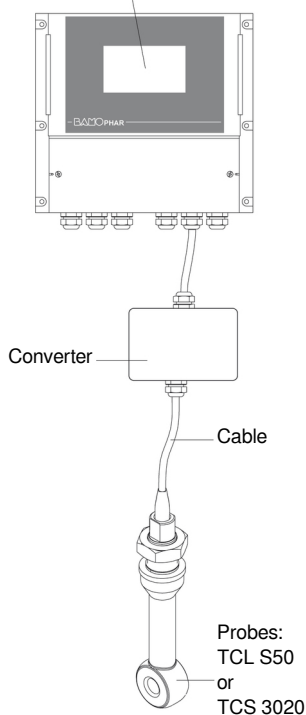
A complete system includes:

- 1 Inductive probe, cable output
- 1 Probe holder for immersion or on-line application.
- 1 Converter, factory calibrated.
- 1 Monitor BAMOPHAR 364 (data-sheet 364-05)

OPTION: Extension terminal for 2nd measuring parameter

- Allows a second measuring parameter (pH, flow-rate, turbidity, etc.)
Data from this blind unit are displayed on the main unit
- Mounting: wall or panel versions
- Connected to main unit with 2 x2 wires shielded cable
(Cable length between both devices: max. 500 m)
- RS422 and Data Logger of main unit are shared between both units

Conductivity meter



Complete system

BAMO MESURES

22, Rue de la Voie des Bans · Z.I. de la gare · 95100 ARGENTEUIL
Tel +33 (0)1 30 25 83 20 Web www.bamo.fr
Fax +33 (0)1 34 10 16 05 E-mail info@bamo.fr

Conductivity meter for
inductive probe
BAMOPHAR 364

12-11-2018

D-364.04-EN-AC

RES

364-04 /1

TECHNICAL FEATURES

End-user interface	Color touch screen 4.3", resolution 480x272 pixels Display of measurements, menus, temperature, relay status Configuration: Keyword protected
Measuring range	10 μ S/cm up to 2000 mS/cm
Available scales	0... 2 mS/cm; 0 ...20 mS/cm; 0 ... 200 mS/cm; 0 ... 2000 mS/cm
Accuracy	$\pm 0.3\%$; $\pm 0.3\text{ }^{\circ}\text{C}$
Probe input	On screw connectors
Temperature compensation	Automatic with Pt 100 signal, sensor built-in the inductive probe. Manually between 0 and 100 $^{\circ}\text{C}$
Relay outputs	4 contacts, NO, potential free
Configurable thresholds	S1, independent threshold, to set up for measurement or temperature S2, independent threshold, to set up for measurement or temperature S3, independent threshold, to set up for measurement or temperature or external function S4, to set up for alarming function: out of range or broken cable
Hysteresis	To set up between 0 and 100 % on S1, S2 and S3
Contact Initial resistance	100 m Ω max. (voltage drop 6 V DC 1 A)
Switching power	831 VA AC / 3 A / 277 V AC 90 W / 3 A / 30 V DC
Switching capacity (min.)	100 mA, 5 V DC (variable according to switching frequency, environmental conditions, accuracy).
Measurement output	0/4 - 20 mA (max. 600 Ω) proportional to measurement
Temperature output	0/4-20 mA (max. 600 Ω), for all scales from 0 to 100 $^{\circ}\text{C}$
Main power supply	230 V AC / 50-60 Hz (others on request) - Consumption 10 VA
Models	Panel mounting, 96x144 mm, Front IP 65, rear IP 40 Wall mounting, IP65, cable glands

OPTION (RS 422 + Logger)

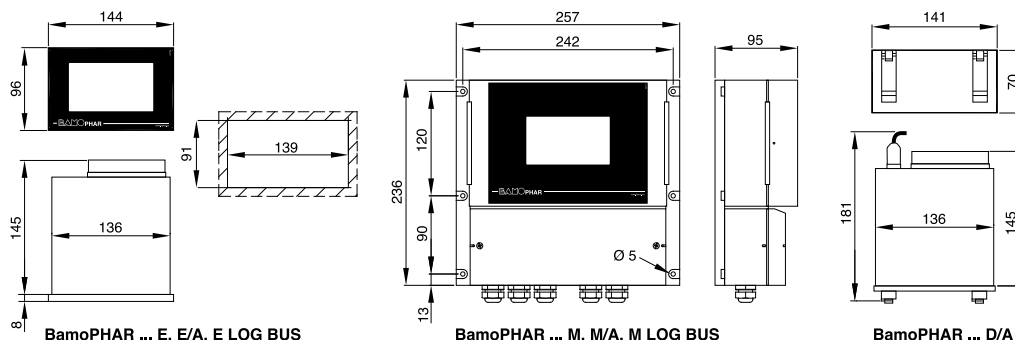
Interface	RS422 output, J-BUS link - Binary slave mode - 2400 to 9600 bauds
Data Logger	Record of cycle average measurement, programmable cycle time 150 000 records max. on memory card.

EC Conformity: The instrument meets the legal requirements of the current European Directives

CODE NUMBERS AND REFERENCES

Code	Reference	Description
364 520	BAMOPHAR 364 E	Panel mounting, box 96x144 mm, Front IP65, rear IP40
364 521	BAMOPHAR 364 E/A	Panel mounting, box 96x144 mm - Extension, blind monitor; Front IP65, rear IP40
364 522	BAMOPHAR 364 E LOG BUS	Panel mounting, box 96x144 mm/ RS422 + logger/ Front IP65, rear IP40
364 523	BAMOPHAR 364 D/A	DIN Rail mounting/ Extension, blind monitor/ IP40
364 560	BAMOPHAR 364 M	Wall mounting, Box IP 65, cable glands
364 561	BAMOPHAR 364 M/A	Wall mounting, box IP 65/ Extension, blind monitor/ cable glands
364 562	BAMOPHAR 364 M LOG BUS	Wall mounting, box IP 65/ RS 422 + logger/ cable glands

DIMENSIONS



BAMO MESURES

22, Rue de la Voie des Bans · Z.I. de la gare · 95100 ARGENTEUIL
 Tel +33 (0)1 30 25 83 20 Web www.bamo.fr
 Fax +33 (0)1 34 10 16 05 E-mail info@bamo.fr

Conductivity meter for
 inductive probe
BAMOPHAR 364

12-11-2018

D-364.04-EN-AC

RES

364-04/2