

# RESISTIVITY METER INDICATOR + SOUND ALARM - SERIES LAS -

## SIMPLE METER TO MEASURE DEMINERALIZED WATER



- Measuring range 0 to 2 MΩ
- Indicator with mechanical meter
- Adjustable sound alarm
- Compact housing for wall mounting
- 2 LED indicators Green / Red
- Associated probe: BC 1425 / BNC

### FUNCTIONING

The meter indicates permanent the resistivity. Alarm preset is done internal with a push-button and potentiometer. In case the indication is below the preset alarm value a buzzer will sound and the red LED turns on until the resistivity meter reaches the correct value again.

The meter has a expanded 0-2 MΩ scale that insures a good reading from 20 to 500 KΩ. The centre indicates 100KΩ.

The LAS is perfectly suitable for demineralized applications where there is no need automatic from alarm.

### ASSOCIATED PROBES : BC 1425 / BNC

All electrodes with coefficient 0.1 are adaptable to this type of meter (See note DOC 360).

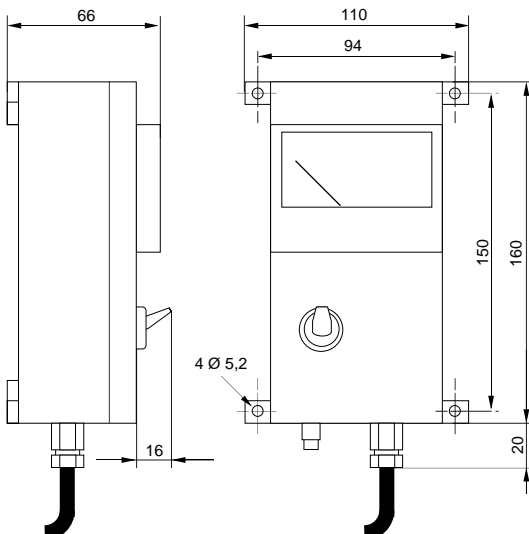
However for economical reasons the particularly adapted probe is the probe BC 1425/ BNC-R 1/ 4 delivered with 5 meter coax cable and BNC connector to insure simple installation and service.

### TECHNICAL SPECIFICATIONS

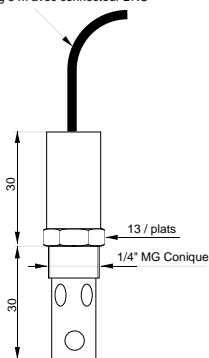
Measuring range : 0 - 2 MΩ / centre 100 KΩ  
 Alarm : Sound buzzer and red LED indicator  
 Housing : Macralon 80 x 160 x 55 mm, fixation with 4 holes  
 Power supply : 230 VAC / 50 Hz  
 Probe : BC 1425 BNC / - R 1/4" Mg - C=0.1  
 delivered with 5 meter cable and BNC connector

### REFERENCES AND CODES

315 200 Resistivity meter LAS / BNC  
 360 502 Probe BC 1425 / BNC



Câble lg 5 m avec connecteur BNC



### STARTING UP

- 1) - The probe must always be on the fluid
- 2) - Connect the LAS on the main supply and the probe on the plug provided for.
- 3) - To calibrate the set, take off the cover, push the press-button and screw the potentiometer. The arrow show you the preset value.

### VERIFICATION

- 1) Testing of the LAS:  
 Short-circuit the BNC adapter on the meter, the meter has to indicate 0.  
 The red LED lights and the buzzer alarm sounds.  
 Without connection of the probe the meter reads more then 2 MΩ.  
 With a pure resistance of 10 KΩ connected instead of the probe the meter shows 100KΩ.

# BAMO MESURES

22, Rue de la Voie des Bans - Z.I. de la Gare - 95100 ARGENTEUIL  
 Tél : (+33) 01 30 25 83 20 - Web : [www.bamo.fr](http://www.bamo.fr)  
 Fax : (+33) 01 34 10 16 05 - E-mail : [info@bamo.fr](mailto:info@bamo.fr)

RESISTIVITY METER  
 - SERIES LAS -

26/06/97

315 10 01 A

DOC

315/1