

Wall mount cabinet for 48x96 mm indicators BMPC 4896



- IP 55 Wall mount cabinet
- Grey polycarbonate
- Dimensions 159x149x151 mm
- With 5 cable glands

APPLICATIONS

This cabinet is ready to receive an indicator of 48x96 mm for panel mounting (ITU, BIF series, etc.) so that it can be installed on a wall of a technical room or boiler room.

See data-sheets 222 & 282

DESCRIPTION

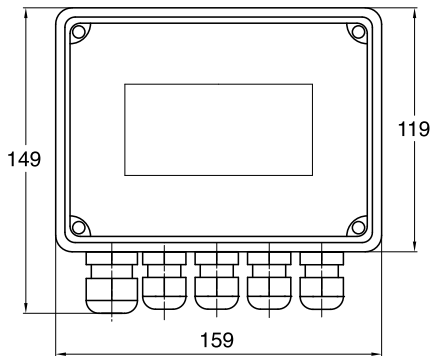
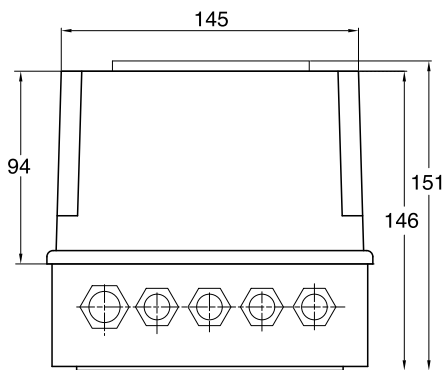
The lid has a cutout suitable for a 48x96 mm indicator panel mounting. 5 cable glands will insure a protection IP 55.

For assembly, the lid is removed, the indicator is secured on it and wiring can be done easily.

We can supply complete assembly with indicator and the setup of all parameters.

- > Gasoil tank, height or volume: Potentiometer, 2-wire sensors, 4-20 mA
- > Flow / Counter: Pulses

Caution: To setup the indicator we need to know the type of input signal, scale of display and threshold values.



TECHNICAL FEATURES

Wall mount cabinet	IP 55, grey polycarbonate
Terminals	Rear back of indicator (see its manual)
Cable glands	1x PG 11 and 4x PG 9
Ambient temperature	-10 ... +45 °C
Dimensions	59x149x151 mm (Front, Height, Deep)
Indicator	Case of 48 x 96 mm (max. 125 mm deep)

CODE NUMBERS AND REFERENCES

Code	Reference	Description
222 452	BMPC 4896	Cabinet alone with cutout of 44.5 x 91.5 mm
222 715	BMPC 4896-414	Cabinet with ITU 222414 fitted.
222 720	BMPC 4896-412	Cabinet with ITU 222412 fitted.
222 725	BMPC 4896-402	Cabinet with ITU 222402 fitted.
222 730	BMPC 4896-404	Cabinet with ITU 222404 fitted.

BAMO MESURES

22, Rue de la Voie des Bans · Z.I. de la gare · 95100 ARGENTEUIL

Tel +33 (0)1 30 25 83 20 Web www.bamo.fr

Fax +33 (0)1 34 10 16 05 E-mail info@bamo.fr

Wall mount cabinet for 48x96
mm indicators
BMPC 4896

12-11-2018

D-222.05-EN-AA

RE

222-05/1