

# Monitor for CCK sensors

## DOSAControl DCW 100



- **AUTO-CLEANING SENSOR** by reverse polarity
- **LCD back lighted display**, friendly using menu
- **1 specific input for CCK sensor**
- **1 analog output 0/4-20 mA**
- **Automatic temperature compensation**
- **2 relays for ON/OFF and PID regulation**
- **Pulse output for ON-OFF, PID regulation**
- **1 alarm relay with timer**
- **1 input for flow controller**
- **RS 485 interface**

### DESCRIPTION

The **DCW 100** monitor is designed for measuring and regulation in disinfection process (chlorine, chlorine dioxide, ozone) and in particular for CCK sensors. The auto-cleaning system ASR (patented) maintains automatically the sensor operational.

The cleaning is an electrochemical operation. The DCW 100 applies a suitable potential between the electrodes to produce oxygen and hydrogen without reagents addition. The gases eliminate the existing deposits.

The cleaning sequence is finished in 30 seconds and may be done twice a day. During the cleaning, the status is displayed; the regulation is set on stand-by.

Through the friendly using menu, an easy configuration is done on regulation, thresholds, temperature compensation and alarm events.

With the back lighted display it is easy to read perfectly the measure and temperature at anytime. The analogical output is galvanic insulated, and configured on various scales.



*Assembly  
(without filter)*

# BAMO MESURES

22, Rue de la Voie des Bans - Z.I. de la Gare - 95100 ARGENTEUIL

Tél : (+33) 01 30 25 83 20 - Web : [www.bamo.fr](http://www.bamo.fr)

Fax : (+33) 01 34 10 16 05 - E-mail : [info@bamo.fr](mailto:info@bamo.fr)

Monitor for CCK sensor  
**DOSAControl DCW 100**

17-02-2015

194 I1 05 B

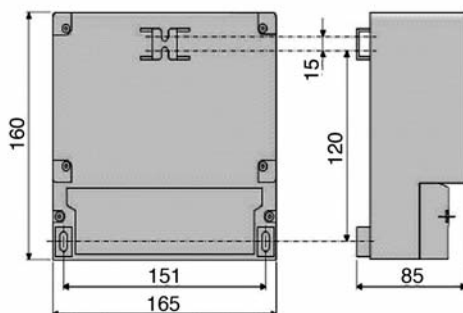
**CL**

**194-05/1**

## TECHNICAL FEATURES

Display:	Measurement – temperature – relays status – configuration menu back lighted LCD display, 2 lines
Configuration:	Front keypad, 5 keys – Protected access through a key code
Temperature compensation:	Manual or Automatic (Pt 100 Ohm at 0°C sensor input)
Automatic cleaning:	With the sensor type CCK only (auto-recognition)
Analogical inputs:	1 for CCK sensor 1 for temperature (Pt 100 Ohm at 0°C sensor)
Flow controller input:	For PNP inductive flow controller (NO status) – NO or NC configuration
Adjustable thresholds:	2 independents thresholds – adjustable as increasing or decreasing adjustable hysteresis
Alarm:	1 system dysfunction alarm, common to: – Too long injection (adjustable timer from 0 to 90 minutes) – Thresholds overriding – Automatic cleaning
Relay outputs S1, S2, S3:	3 contacts, Normally Open, voltage free
Switching power:	6 A / 250 V, max. 550 VA (resistive load) with load resistor protection
Pulse regulation	Adjustable cycle from 2 to 99 s (pulses + pause)
Pulse length:	0.1 to 9.9 s
Delay:	2 to 99 s
Impulse frequency:	100 to 7200 pulses / hour
Proportional regulation	P range XP, adjustable within the measuring range, Integral time TN: 0 - 2000 s
Output signal:	0/4 - 20 mA (max. load 500 Ω) , galvanic insulated
Serial interface:	RS 485 (9600 bauds), 8 bits
Ambient temperature:	0...+50°C
Storage:	-20...+65°C
Humidity:	Max. 90 % RH at 40°C no, condensing
Model:	Wall mounting, IP 65 housing in ABS, connections on screw terminal
Power supply:	230 V, 40-60 Hz / 10 VA – internal fuse 63 mA
Turn on delay:	0 to 200 s
CE Marks	According to EC directives

## DIMENSIONS



## CODE NUMBERS AND REFERENCES

Code	Reference	Description	Parameter
194 900	DOSAControl DCW 100 L	Wall mounting, IP 65	Free chlorine
194 901	DOSAControl DCW 100 LD	Wall mounting, IP 65	Chlorine dioxide
194 902	DOSAControl DCW 100 OZ	Wall mounting, IP 65	Ozone

# BAMO MESURES

22, Rue de la Voie des Bans - Z.I. de la Gare - 95100 ARGENTEUIL

Tél : (+33) 01 30 25 83 20 - Web : [www.bamo.fr](http://www.bamo.fr)

Fax : (+33) 01 34 10 16 05 - E-mail : [info@bamo.fr](mailto:info@bamo.fr)

Monitor for CCK sensor  
**DOSAControl DCW 100**

17-02-2015

194 I1 05 B

CL

194-05/2