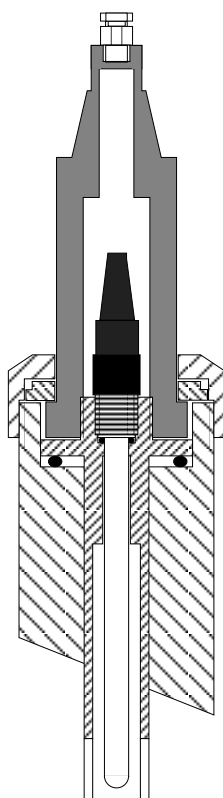


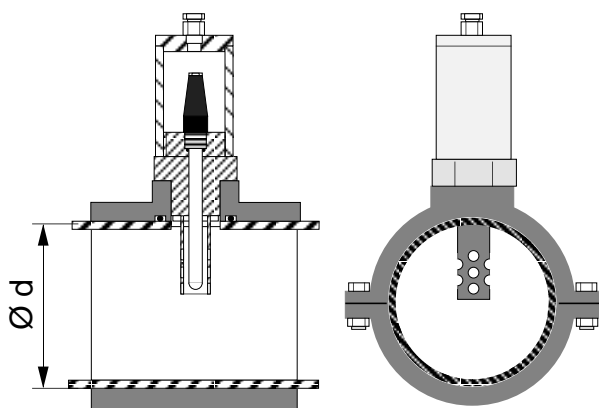
pH or ORP CONTINUOUS 9400



A - To weld or stick probe



B - Under pressure probe



C - Collar

- pH or ORP measure on pipe.
- For combined electrodes.
- Connection PG 13,5.
- Max pressure 21 bar.
- Max temperature 135°C
- PVC - PPH - PVDF - SS316L realization.
- Mounting and dismounting under pressure.
- Fixing by threaded end, weld end or collar.
- Wire connection under waterproof cover
- Electrode protection rode

DESCRIPTION

Continuous flow probe 9400 series, equipped with adequate electrode, allow pH or ORP measure on pipe under pressure. Fixation system allows easy dismounting to avoid electrode bracking.

In case pipe can not be out of pressure, we propose probe system which allows mounting and dismounting under pressure (picture B).

TECHNICAL CHARACTERISTICS

Type	Realization	Fixing	Max. P (bar)	Max. T°
A - To weld or stick probe				
9411	PVC	Ø 50 to be stick	10 bar	50°C
9412	PPH	Ø 50 to be weld	10 bar	90°C
9413	PVDF	Ø 50 to be weld	10 bar	110°C
9410	Inox 316 L	Ø 41,9 to be weld	16 bar	110°C
B - Under pressure probe				
9422	PVC-C	¾ screwed GM	5 bar	60°C
C - Collars				
9431	PVC	Ø 40 up to Ø 315	10 bar	50°C
9432	PPH	Ø 40 up to Ø 315	10 bar	90°C

ASSOCIATED ELECTRODES

For all above holders, pH or ORP measure: pH ORP gel electrodes 9380 / 9390 series.

Depending on pressure and temperature conditions, we may propose you electrodes which can reach to 21 bar at 20°C and 2 bar at 135°C.

In any case, BAMO Mesures technical staff may help you to select necessary items from your operating conditions.

BAMO MESURES

13, rue Pasteur - 95 100 ARGENTEUIL - FRANCE
Tél : (+33) 01 30 25 83 20 - E-mail : info@bamo.fr
Fax : (+33) 01 34 10 16 05 - Site : http://www.bamo.fr

pH or ORP CONTINUOUS
FLOW PROBE
9400

24/01/2003

141 11 01 B

pH

141/1