

# pH / mV INDICATOR - TRANSMITTER BAMOPHIX



- pH: 2 - 12 or 0 - 14 selectable
- ORP: 0 - ±500 mV or ±1 000 mV selectable
- 0 - 4 to 20 mA output selectable
- 2 Volt free output relays for alarm setting
- 72 x 144 mm IP 40 enclosure box
- or IP 55 wall mounting

## DESCRIPTION

The BAMOPHIX is a easy-to-use indicator / transmitter designed as a panel or wall mounting unit. Calibration and configuration is easy. Two independent adjustable set-points with opposite or same control direction are integrated. The unit has a selectable 0 or 4 to 20 mA analog output. As an option the unit is available with a galvanic isolated mA Output. The mA output signal can be set over the measured range. Different setting modes can be programmed with dip-switches by removing the gray front panel. The BAMOPHIX is equipped with removable wiring connectors.

## TECHNICAL CHARACTERISTICS

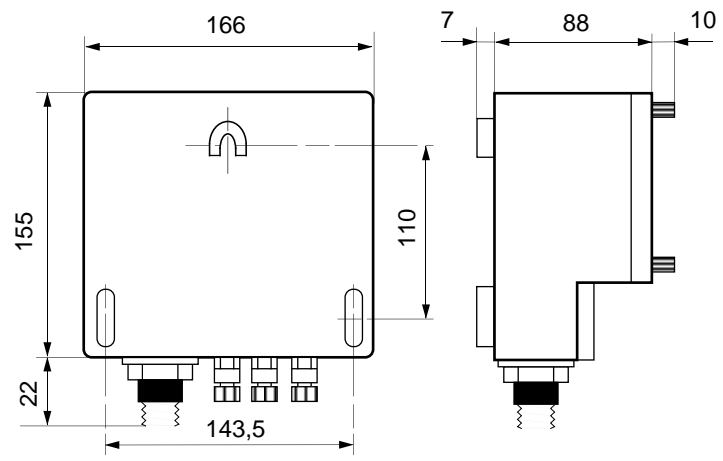
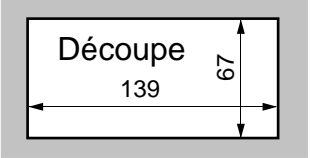
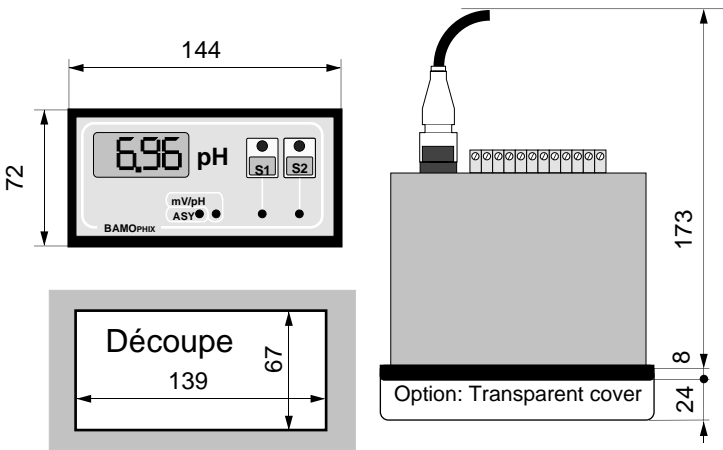
- Main power supply : 230 V/ 50 Hz 5 VA - others on request
- Display : 3 1/2 digit 13 mm LCD
- Measue range : 0 -14 pH or 2 -12 pH selectable  
0 -±1000 mV pH or 2 -12 pH selectable
- T°compensation : No compensation - at 20°C value
- Analog output : 0-20 mA or 4-20 mA (400 ohm max.)  
selectable on full scales
- Relays output : Volt free change over contact  
rated at 500VA / 250V / 2A /230 V max.
- Input probe : 9054 coaxial connector type
- Set-points : 2 independent adjustable set-points
- Input impedance : > 1013 MΩ
- Accuracy : ± 1%
- Option : Galvanic insulation - 1000 V dc  
: IP 55 transparent cover for enclosure box models



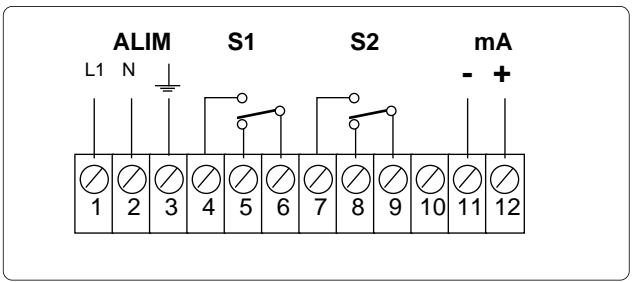
## ORDERING CODES

- **BAMOPHIX 112 E** Code: **111 100**  
72 x 144 mm IP 40 enclosure box  
Connection: dismantable screwed connector  
High impedance coaxial input (9054 connector type)
- **BAMOPHIX 112 MIG** Code: **111 202**  
IP 55 wall mounting box pH meter  
Connection: independent connector block with cable gland  
High impedance coaxial input with galvanic insulation (9054 type)
- **BAMOPHIX 112 E** Code: **111 115**  
Enclosure box mV meter
- **BAMOPHIX 132 MIG** Code: **111 217**  
IP 55 wall mounting box mV meter

**DIMENSIONS / CONNECTIONS**



**Wiring 112E - 132E**



**Wiring 112M - 132M**

