

Electrically actuated 2-way ball valves VE2V - INOX



- 3 pieces body
- Full bore ball valve
- Easy cleaning and disassembly
- Thread socket ends 1/4" to 4"
- Electric actuator with position index and emergency manual override
- 2 types multi-volt power supply

APPLICATIONS

Electrically actuated 2-way ball valves are useful to stop the flow of fluids in part of a plant. Opened they do not induce pressure drop. Closing time is about 10 seconds. Assistance with manual operating for maintenance or emergency operations (*actuator power supply is switched off before a manual operating*).

TECHNICAL FEATURES

Valve materials

Body: Stainless steel 316
 Seals: FPM
 Ball: Stainless steel 316
 Ball seating joints: PTFE +15% Glass fiber
 Process connections: BSP Thread
 Pressure / temperature: 16 bar / 55°C
 >16 bar (maxi 63 bar) / upon request

90° electric actuator

Operation: 10 s approx. for rotating 90°
 Emergency operation: Manual operating
 Duty rating: 30%
 Protection: IP65
 Wiring: 1 cable gland ISO M20
 DIN 43650 plug; 3 wire + earth
 Power: 15 W (1/4" to 2")
 45 W (2"1/2 to 4")
 Main power input: 90...240 V AC 50/60 Hz and 90...350 V DC
 24 V AC 50/60 Hz and 24 V DC

OPTIONS: *Upon request*

CODE NUMBERS AND REFERENCES

G	ND	24 V AC and 24 V DC	90...240 V AC and 90...350 V DC
1/4"	10	M 1014 001	M 1014 021
3/8"	12	M 1014 002	M 1014 022
1/2"	15	M 1014 003	M 1014 023
3/4"	20	M 1014 004	M 1014 024
1"	25	M 1014 005	M 1014 025
1"1/4	32	M 1014 006	M 1014 026
1"1/2	40	M 1014 007	M 1014 027
2"	50	M 1014 008	M 1014 028
2"1/2	65	M 1014 009	M 1014 029
3"	80	M 1014 010	M 1014 030
4"	100	M 1014 011	M 1014 031

BAMO MESURES

22, Rue de la Voie des Bans - Z.I. de la Gare - 95100 ARGENTEUIL

Tél : (+33) 01 30 25 83 20 - Web : www.bamo.fr

Fax : (+33) 01 34 10 16 05 - E-mail : info@bamo.fr

Electrically actuated
2-way ball valves
VE2V - INOX

20-06-2012

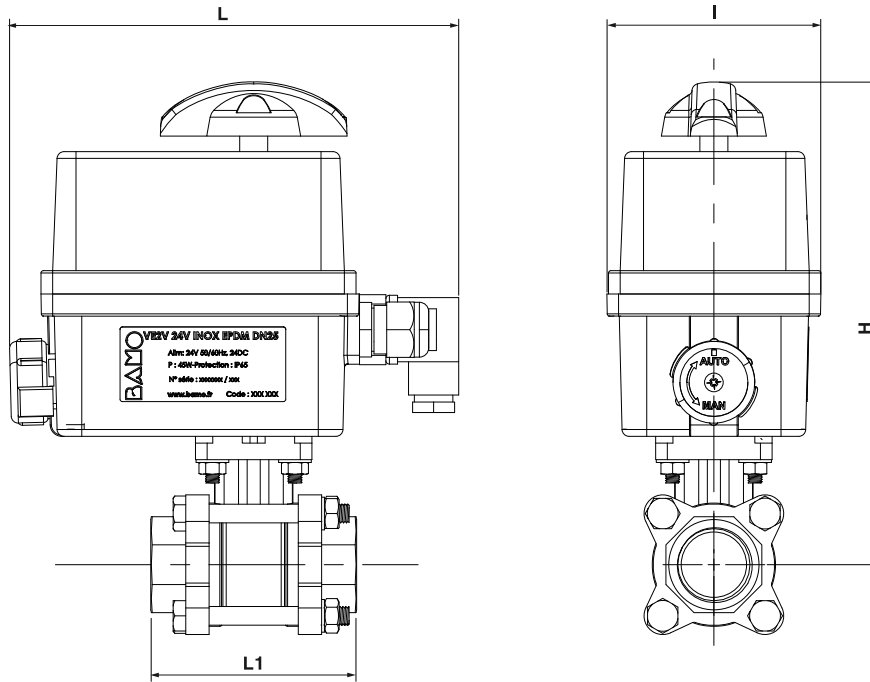
1014 I1 01 A

METAL

1014-01/1

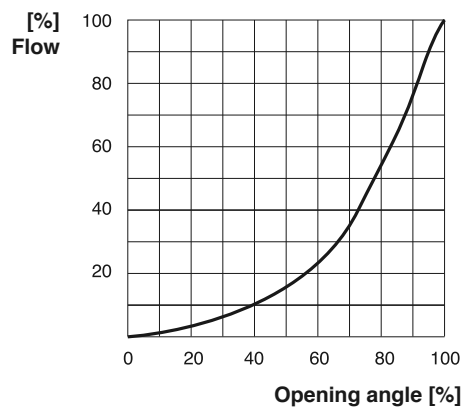
1014

DIMENSIONS



G	ND	L1	I	L	H
1/4"	10	65	92	193	185
3/8"	12	65	92	193	185
1/2"	15	75	92	193	185
3/4"	20	80	92	193	187
1"	25	90	92	193	192
1"1/4	32	110	92	193	194
1"1/2	40	120	92	193	200
2"	50	140	128	208	237
2"1/2	65	185	128	208	255
3"	80	205	128	208	267
4"	100	240	275	242	372

OPERATING FEATURES



Electrically actuated
2-way ball valves
VE2V - INOX

METAL

1014-01/2

BAMO MESURES

22, Rue de la Voie des Bans - Z.I. de la Gare - 95100 ARGENTEUIL

Tél : (+33) 01 30 25 83 20 - Web : www.bamo.fr

Fax : (+33) 01 34 10 16 05 - E-mail : info@bamo.fr

20-06-2012

1014 I1 01 A

1014