

Pneumatically actuated 2-way ball valves, single / double acting VP2V - INOX



- 3 pieces body
- Full bore ball valve
- Easy cleaning and disassembly
- Thread socket ends 1/4" to 4"
- Pneumatic actuator:
 - Single or double acting, Position index
- Status NC or NO
- Standard compatibility:
 - NAMUR VDI/VDE 3845 and ISO 5211

OPTIONS:

- Limit switch box, pilot valve

APPLICATIONS

Pneumatically actuated 2-way ball valves are designed to allow / stop the flow of liquids, even chemically aggressive. The options permit automatic operations.

TECHNICAL FEATURES

Valve materials

Body: Stainless steel 316
 Seals: FPM
 Ball: stainless steel 316
 Ball seating joints: PTFE +15% Glass fiber
 Process connections: BSP Thread
 Pressure / temperature: 16 bar / 55°C
 >16 bar (maxi 63 bar) / upon request

Pneumatic actuator

Single (NO or NC) or double acting
 Control pressure: 6 bar as a maximum
 Air connections: 1/4" G

OPTIONS:

- Limit switch box
- Pilot valve: 3/2-way solenoid valve (single effect)
- Pilot valve: 5/2-way solenoid valve (double effect)

CODE NUMBERS AND REFERENCES

G	ND	Single effect / NC	Single effect / NO	Double effect
1/4"	10	M 1013 001	M 1013 021	M 1013 041
3/8"	12	M 1013 002	M 1013 022	M 1013 042
1/2"	15	M 1013 003	M 1013 023	M 1013 043
3/4"	20	M 1013 004	M 1013 024	M 1013 044
1"	25	M 1013 005	M 1013 025	M 1013 045
1"1/4	32	M 1013 006	M 1013 026	M 1013 046
1"1/2	40	M 1013 007	M 1013 027	M 1013 047
2"	50	M 1013 008	M 1013 028	M 1013 048
2"1/2	65	M 1013 009	M 1013 029	M 1013 049
3"	80	M 1013 010	M 1013 030	M 1013 050
4"	100	M 1013 011	M 1013 031	M 1013 051

BAMO MESURES

22, Rue de la Voie des Bans - Z.I. de la Gare - 95100 ARGENTEUIL
 Tél : (+33) 01 30 25 83 20 - Web : www.bamo.fr
 Fax : (+33) 01 34 10 16 05 - E-mail : info@bamo.fr

Pneumatically actuated 2-way ball
 valves, single / double acting

VP2V - INOX

14-06-2012

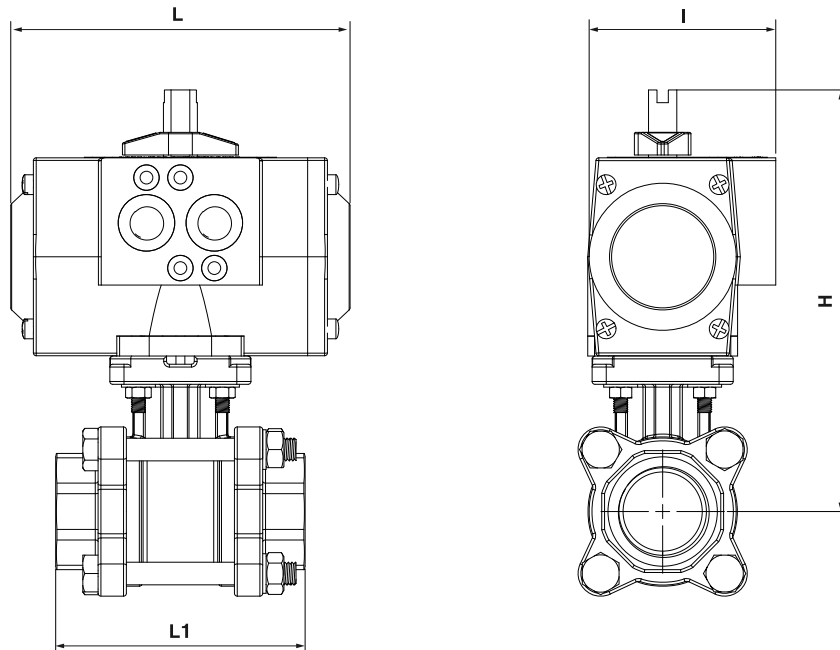
1013 I1 01 A

METAL

1013-01/1

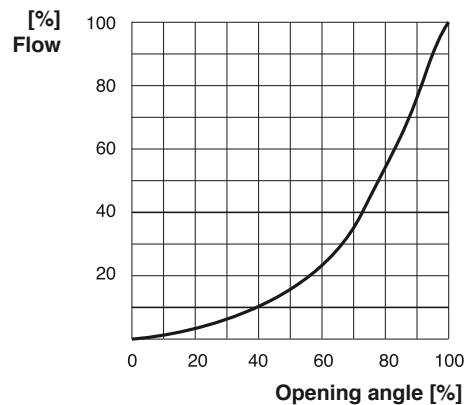
1013

DIMENSIONS



G	ND	Single acting				Double acting			
		L1	I	L	H	L1	I	L	H
1/4"	10	65	67	119	131	65	67	119	131
3/8"	12	65	67	119	131	65	67	119	131
1/2"	15	75	67	119	131	75	67	119	131
3/4"	20	80	86	160	155	80	67	119	131
1"	25	90	101	175	185	90	67	119	131
1"1/4	32	110	101	175	191	110	85	160	169
1"1/2	40	120	96	239	212	120	85	160	169
2"	50	140	96	239	220	140	101	175	209
2"1/2	65	185	113	230	260	185	96	239	242
3"	80	205	138	290	306	205	113	230	272
4"	100	240	185	361	306	240	138	246	334

OPERATING FEATURES



BAMO MESURES

22, Rue de la Voie des Bans - Z.I. de la Gare - 95100 ARGENTEUIL

Tél : (+33) 01 30 25 83 20 - Web : www.bamo.fr

Fax : (+33) 01 34 10 16 05 - E-mail : info@bamo.fr

Pneumatically actuated 2-way ball valves, single / double acting

VP2V - INOX

14-06-2012

1013 I1 01 A

METAL

1013-01/2

1013